

Enclosed Classroom Desk - CD

Specification Sheet

KEY FEATURES

- Lifetime Warranty
- Fast Shipping
- Quantity Discounts
- High-Density Fiberboard Surface
- 14 Gauge Recycled Steel Frame
- High-Pressure WilsonArt Laminate
- Scratch / Dirt Resistant Power Coat
- Premium T-Molding
- Assembled in USA

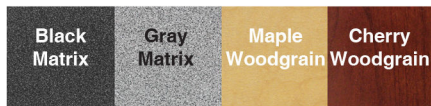
CERTIFICATIONS

- Buy American Act Compliant
- ANSI/BIFMA Certified
- LEED Credit Potential
- Sustainable Furnishings Council

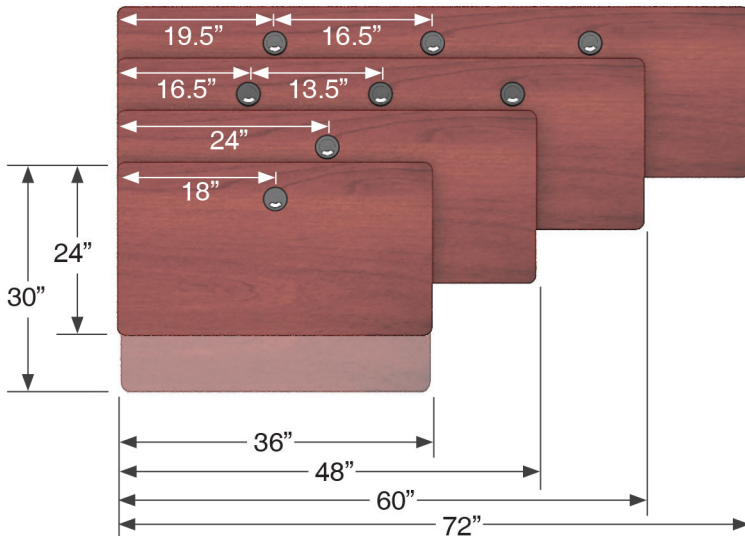
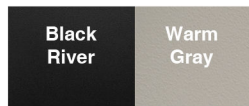


| MODEL # | WIDTH | DEPTH | HEIGHT | WEIGHT |
|---------|-------|-------|------------|----------|
| CD-3624 | 36" | 24" | 29" to 31" | 89 lbs. |
| CD-3630 | 36" | 30" | 29" to 31" | 93 lbs. |
| CD-4824 | 48" | 24" | 29" to 31" | 106 lbs. |
| CD-4830 | 48" | 30" | 29" to 31" | 112 lbs. |
| CD-6024 | 60" | 24" | 29" to 31" | 121 lbs. |
| CD-6030 | 60" | 30" | 29" to 31" | 129 lbs. |
| CD-7224 | 72" | 24" | 29" to 31" | 129 lbs. |
| CD-7230 | 72" | 30" | 29" to 31" | 138 lbs. |

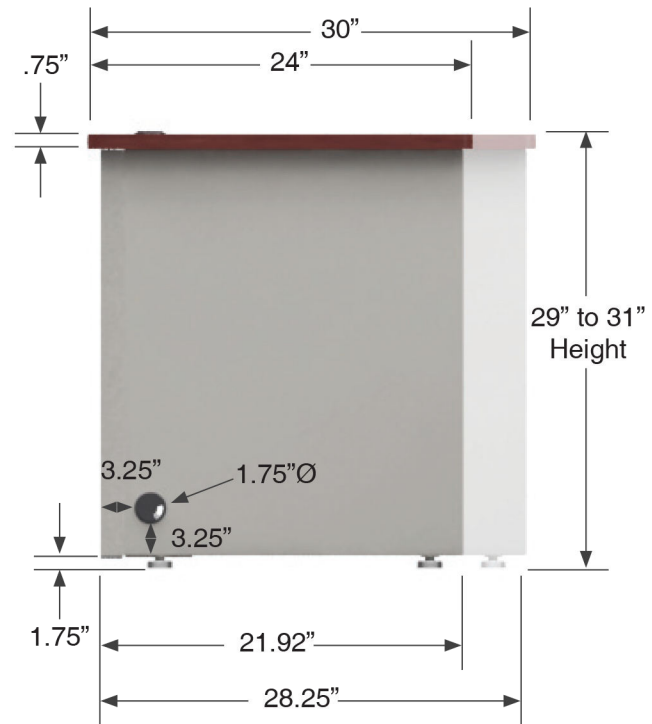
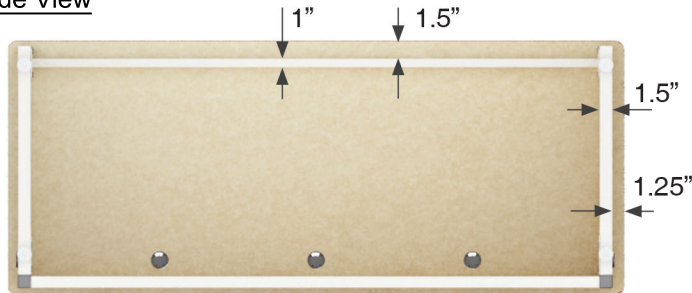
SURFACE COLORS



FRAME COLORS



Underside View



Sales:

Local: 310-353-7100
 Toll Free: 888-929-0322
 Fax: 310-353-7109
 Support@VersaTables.com