

# Enclosed Classroom Desk - CD

## KEY FEATURES

- Lifetime Warranty
- Fast Shipping
- Quantity Discounts
- High-Density Fiberboard Surface
- 14 Gauge Recycled Steel Frame
- High-Pressure WilsonArt Laminate
- Scratch / Dirt Resistant Power Coat
- Premium T-Molding
- Assembled in USA

## CERTIFICATIONS

- Buy American Act Compliant
- ANSI/BIFMA Certified
- LEED Credit Potential
- Sustainable Furnishings Council

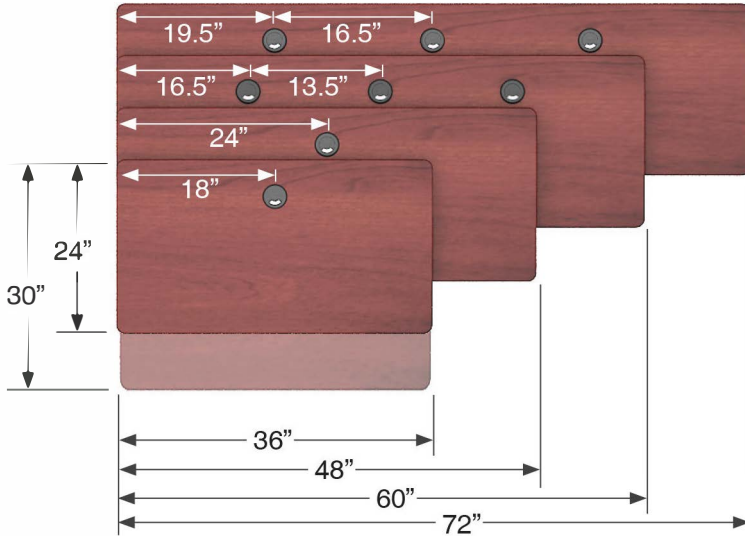


MODEL #	WIDTH	DEPTH	HEIGHT	WEIGHT
CD-3624	36"	24"	29" to 31"	89 lbs.
CD-3630	36"	30"	29" to 31"	93 lbs.
CD-4824	48"	24"	29" to 31"	106 lbs.
CD-4830	48"	30"	29" to 31"	112 lbs.
CD-6024	60"	24"	29" to 31"	121 lbs.
CD-6030	60"	30"	29" to 31"	129 lbs.
CD-7224	72"	24"	29" to 31"	129 lbs.
CD-7230	72"	30"	29" to 31"	138 lbs.

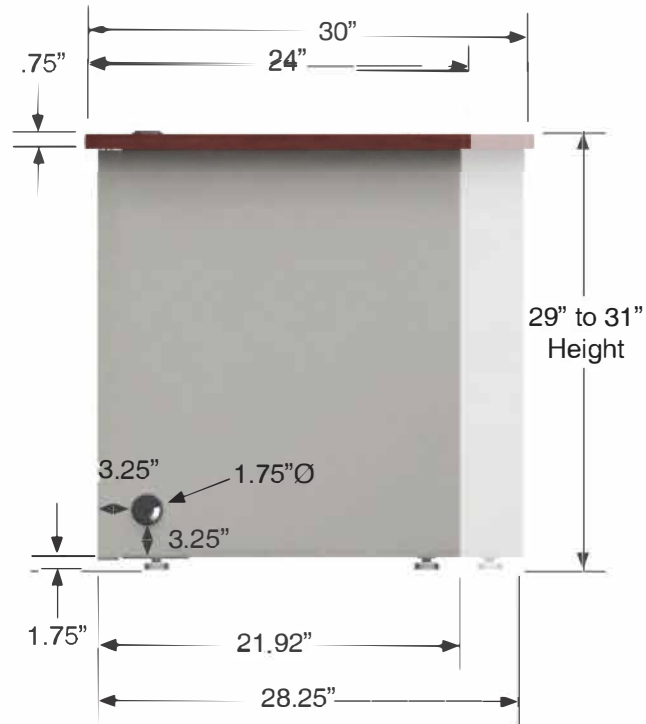
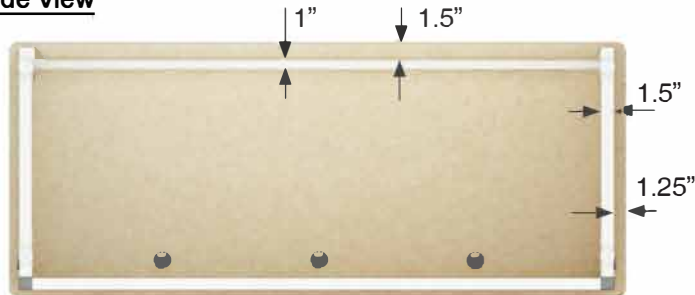
## SURFACE COLORS



## FRAME COLORS



**Underside View**



(800) 465-1660

www.versadesk.com

14108 Towne Ave.

Los Angeles, CA 90061



Lifetime  
Warranty



Quantity  
Discounts



Assembled  
in USA



Fast  
Shipping