

Deluxe Height Adjustable Computer Table - CTL **Specification Sheet**



KEY FEATURES

- Lifetime Warranty
- Fast Shipping
- Quantity Discounts
- High-Density Fiberboard Surface
- 14 Gauge Recycled Steel Frame
- High-Pressure WilsonArt Laminate
- Scratch / Dirt Resistant Power Coat
- Premium T-Molding
- Assembled in USA

CERTIFICATIONS

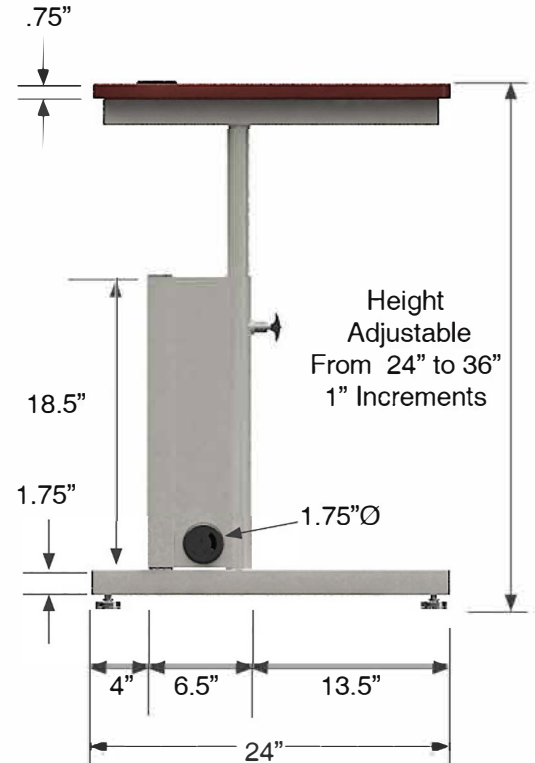
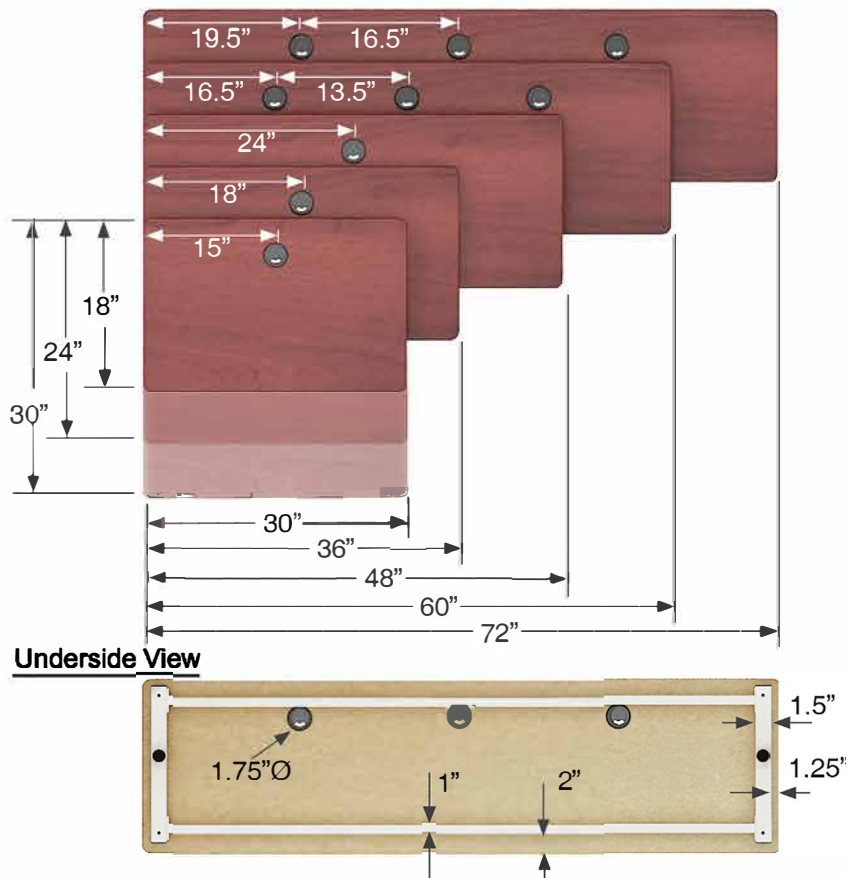
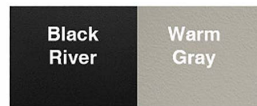
- Buy American Act Compliant
- ANSI/BIFMA Certified
- LEED Credit Potential
- Sustainable Furnishings Council

MODEL #	WIDTH	DEPTH	ADJUSTABLE HEIGHT	WEIGHT
CTL-3018	30"	18"	24" to 36"	56 lbs.
CTL-3024	30"	24"	24" to 36"	65 lbs.
CTL-3030	30"	30"	24" to 36"	69 lbs.
CTL-3618	36"	18"	24" to 36"	62 lbs.
CTL-3624	36"	24"	24" to 36"	71 lbs.
CTL-3630	36"	30"	24" to 36"	78 lbs.
CTL-4818	48"	18"	24" to 36"	74 lbs.
CTL-4824	48"	24"	24" to 36"	86 lbs.
CTL-4830	48"	30"	24" to 36"	93 lbs.
CTL-6018	60"	18"	24" to 36"	86 lbs.
CTL-6024	60"	24"	24" to 36"	100 lbs.
CTL-6030	60"	30"	24" to 36"	108 lbs.
CTL-7218	72"	18"	24" to 36"	99 lbs.
CTL-7224	72"	24"	24" to 36"	114 lbs.
CTL-7230	72"	30"	24" to 36"	123 lbs.

SURFACE COLORS



FRAME COLORS



(800) 465-1660

www.versadesk.com

14108 Towne Ave.

Los Angeles, CA 90061

