

Downview Computer Table - DVT



KEY FEATURES

- High-Density Fiberboard Surface
- 14 Gauge Recycled Steel Frame
- High-Pressure WilsonArt Laminate
- Scratch / Dirt Resistant Powder Coat
- Premium T-Molding
- American Made
- Lifetime Warranty

CERTIFICATIONS

- ANSI/BIFMA Certified
- LEED Credit Potential
- Sustainable Furnishings Council

MODEL #	WIDTH	DEPTH	HEIGHT	WEIGHT
DVT-3624	36"	24"	24" to 36"	97 lbs.
DVT-3630	36"	30"	24" to 36"	102 lbs.
DVT-4824	48"	24"	24" to 36"	114 lbs.
DVT-4830	72"	30"	24" to 36"	119 lbs.
DVT-6024	60"	24"	24" to 36"	134 lbs.
DVT-6030	60"	30"	24" to 36"	139 lbs.
DVT-7224	72"	24"	24" to 36"	154 lbs.
DVT-7230	72"	30"	24" to 36"	157 lbs.

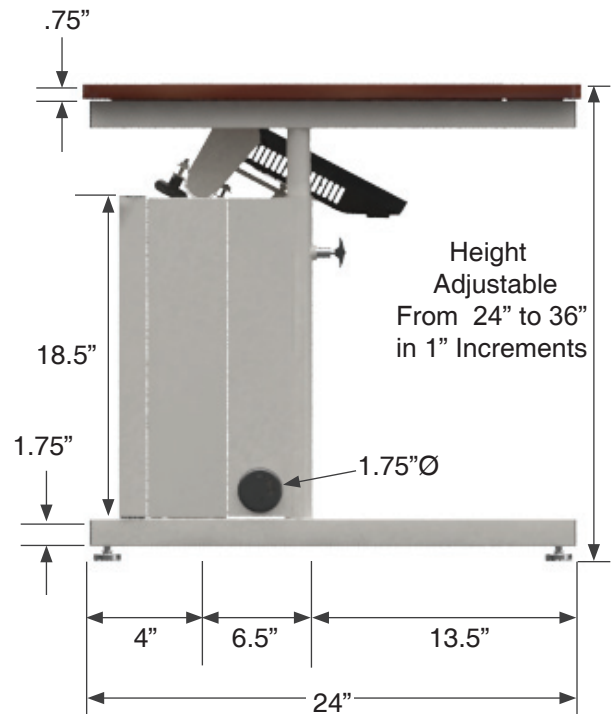
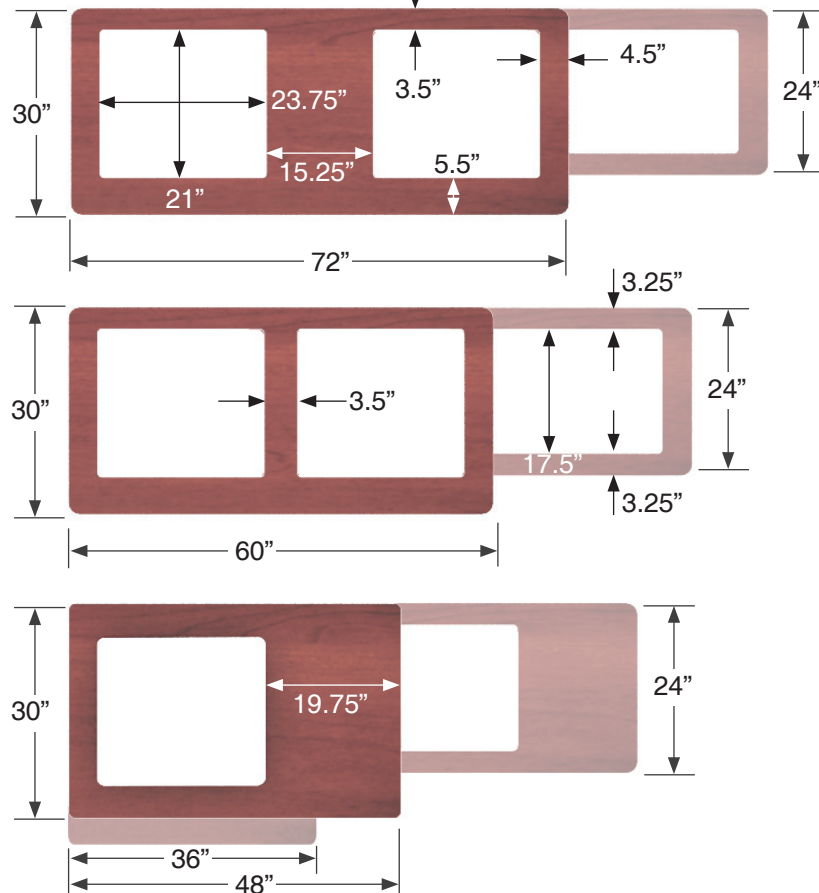
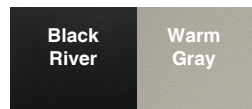
INCLUDED ACCESORIES

- (1) Enclosed CPU Holder per User
- (1) Keyboard Tray per User

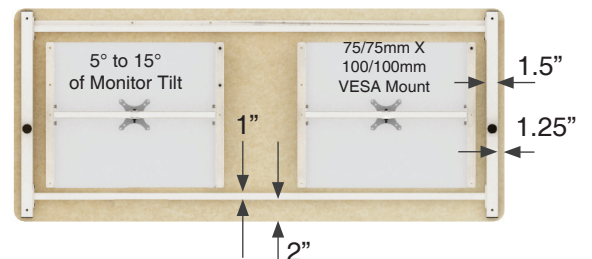
SURFACE COLORS



FRAME COLORS



Underside View



Revised: 05-02-14



(800) 465-1660
www.versadesk.com

14108 Towne Ave.
Los Angeles, CA 90061

