

Downview Computer Desk - DV

Specification Sheet

KEY FEATURES



- Lifetime Warranty
- Fast Shipping
- Quantity Discounts
- High-Density Fiberboard Surface
- 14 Gauge Recycled Steel Frame
- High-Pressure WilsonArt Laminate
- Scratch / Dirt Resistant Power Coat
- Premium T-Molding
- Assembled in USA

CERTIFICATIONS

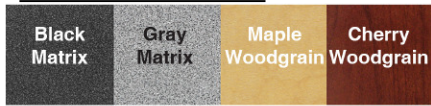
- Buy American Act Compliant
- ANSI/BIFMA Certified
- LEED Credit Potential
- Sustainable Furnishings Council

MODEL #	WIDTH	DEPTH	HEIGHT	WEIGHT
DV-3624	36"	24"	29" to 31"	104 lbs.
DV-3630	36"	30"	29" to 31"	109 lbs.
DV-4824	48"	24"	29" to 31"	119lbs.
DV-4830	48"	30"	29" to 31"	124 lbs.
DV-6024	60"	24"	29" to 31"	139 lbs.
DV-6030	60"	30"	29" to 31"	144 lbs.
DV-7224	72"	24"	29" to 31"	159 lbs.
DV-7230	72"	30"	29" to 31"	164 lbs.

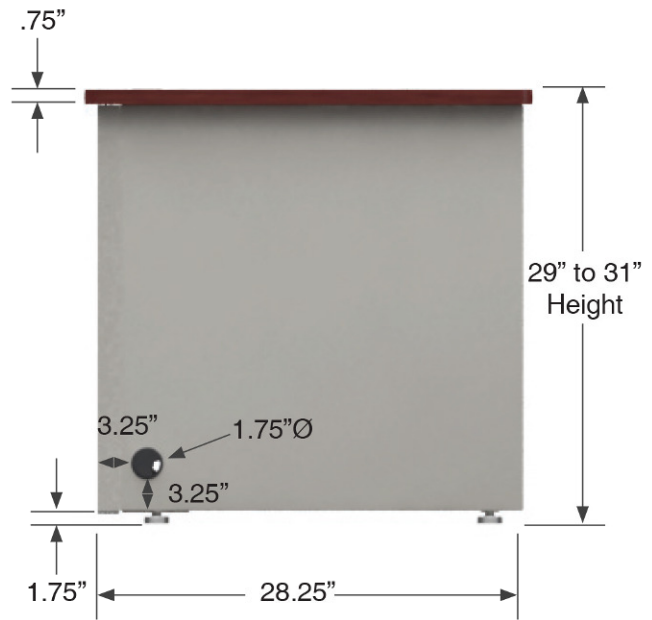
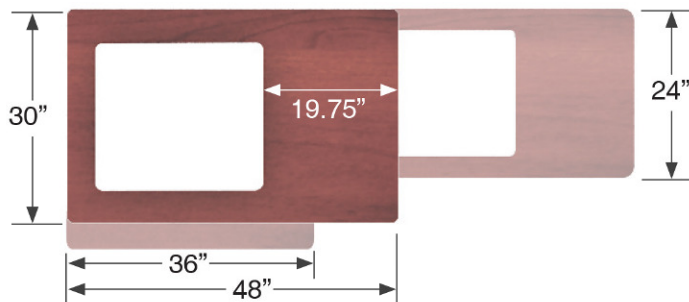
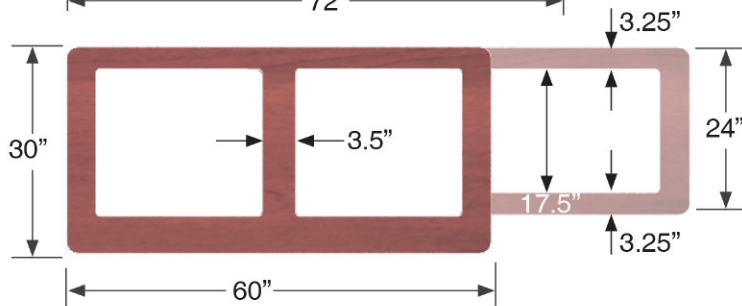
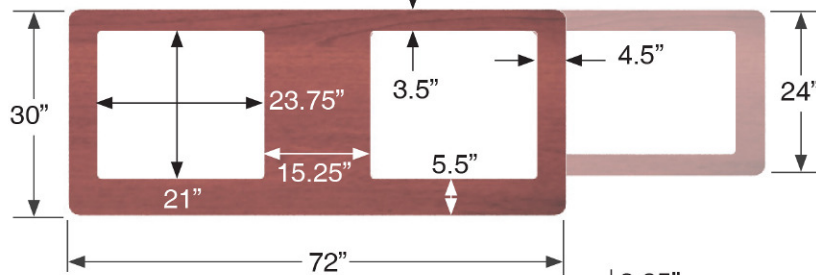
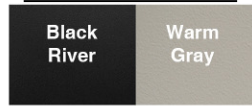
INCLUDED ACCESSORIES

- (1) Enclosed CPU Holder per User
- (1) Keyboard Tray per User

SURFACE COLORS



FRAME COLORS



Underside View

