

## Elevation Computer Desk - ED



### KEY FEATURES

- Lifetime Warranty
- Fast Shipping
- Quantity Discounts
- High-Density Fiberboard Surface
- 14 Gauge Recycled Steel Frame
- High-Pressure WilsonArt Laminate
- Scratch / Dirt Resistant Power Coat
- Premium T-Molding
- Assembled in USA

### CERTIFICATIONS

- Buy American Act Compliant
- ANSI/BIFMA Certified
- LEED Credit Potential
- Sustainable Furnishings Council

MODEL #	WIDTH	DEPTH	HEIGHT	WEIGHT
ED-3630	36"	30"	29" to 31"	125 lbs.
ED-7230	72"	30"	29" to 31"	220 lbs.

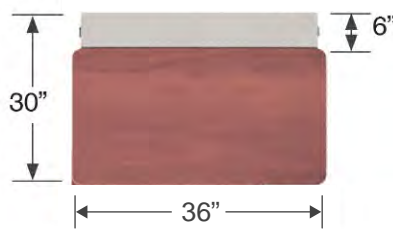
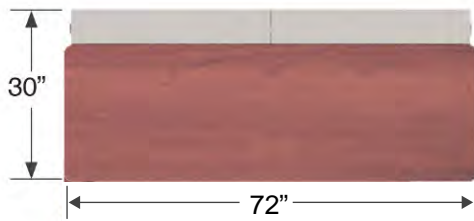
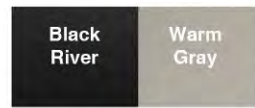
### INCLUDED ACCESSORIES

- (1) KD for 36" (2) for 72"
- (1) ECPU Holder for 36" (2) for 72"

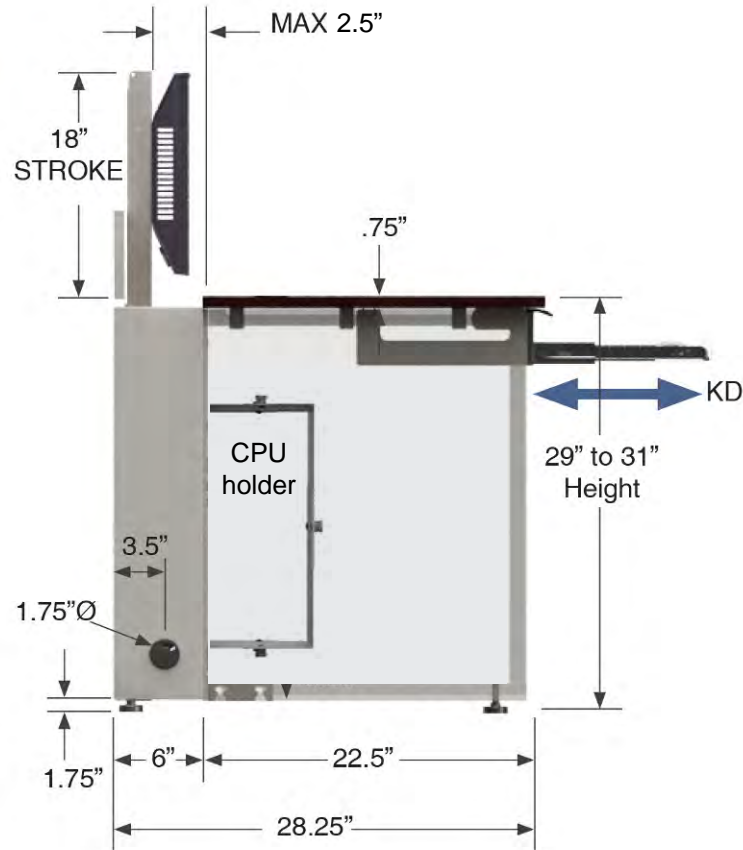
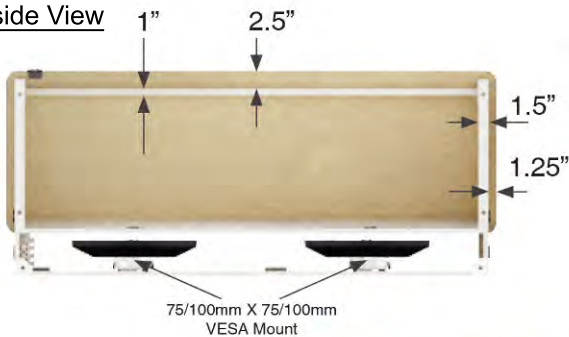
### SURFACE COLORS



### FRAME COLORS



### Underside View



(800) 465-1660

www.versadesk.com

14108 Towne Ave.

Los Angeles, CA 90061

