

Freedom Drafting Table - FRDT

KEY FEATURES

- Lifetime Warranty
- Fast Shipping
- Quantity Discounts
- High-Density Fiberboard Surface
- 14 Gauge Recycled Steel Frame
- High-Pressure WilsonArt Laminate
- Scratch / Dirt Resistant Power Coat
- Premium T-Molding
- Assembled in USA

CERTIFICATIONS

- Buy American Act Compliant
- ANSI/BIFMA Certified
- LEED Credit Potential
- Sustainable Furnishings Council

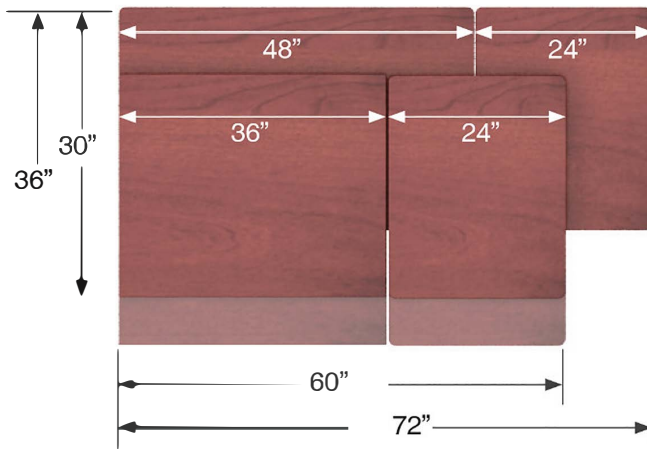
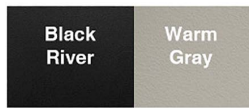


MODEL #	WIDTH	DEPTH	HEIGHT	WEIGHT
FRDT-6030	60"	30"	37"	115 lbs.
FRDT-6036	60"	36"	37"	135 lbs.
FRDT-7230	72"	30"	37"	135 lbs.
FRDT-7236	72"	36"	37"	150 lbs.

SURFACE COLORS



FRAME COLORS



Underside View

