

PowerLift L-shaped Standing Desk

Specification Sheet



MODEL #	WIDTH	DEPTH	HEIGHT	WEIGHT
PLLSD	60" / 72"	24"	24" - 50"	180 lbs

KEY FEATURES

- Lifts up to 450lbs
- Programmable Switch with 4 Settings
- Adjustable-height from 28.5" - 45.5"
- Quick and Seamless Lift
- Advanced Electromagnetic Actuator
- Scratch/Dirt Resistant Coating
- 3 Grommet Holes for Cable Management
- Under-Desk Cable Management Tray
- Buy American Act Compliant
- ANSI/BIFMA Certified
- LEED Credit Potential
- Sustainable Furnishings Council
- Lifetime Warranty



450 lbs
Weight Capacity

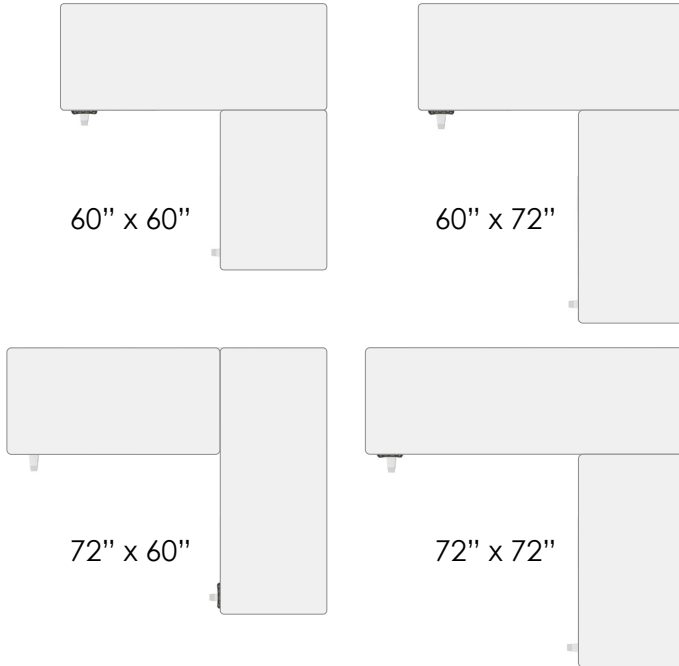
SURFACE COLORS



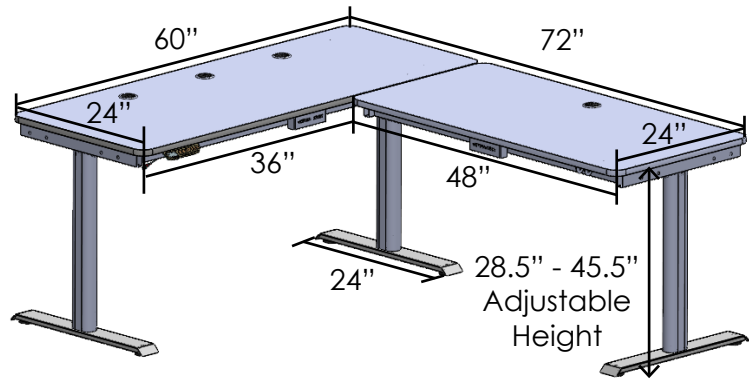
FRAME COLORS



available configurations



* 60" x 72" and 72" x 60" are NOT interchangeable



*60" x 72" Configuration used Above



Lifetime Warranty



Quantity Discounts



Assembled in USA



Fast Shipping