

POWER PRO® Elite

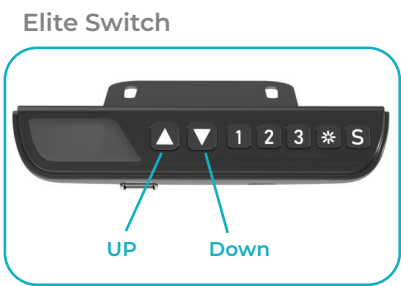
Assembly Instructions

1 With your Desktop Riser on a desk or table, locate the cable underneath the unit's top surface. Connect that cable to the power supply included, and then plug the unit into a power outlet.

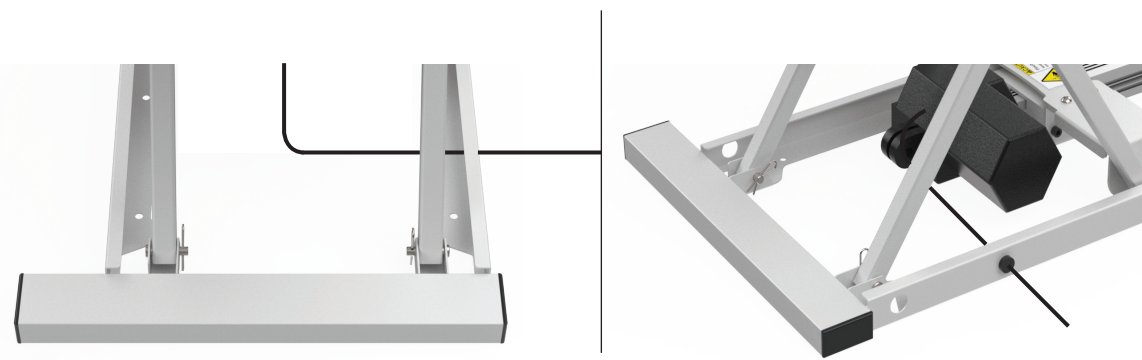


⚠ This product is for adult use only. Children should not operate this device.

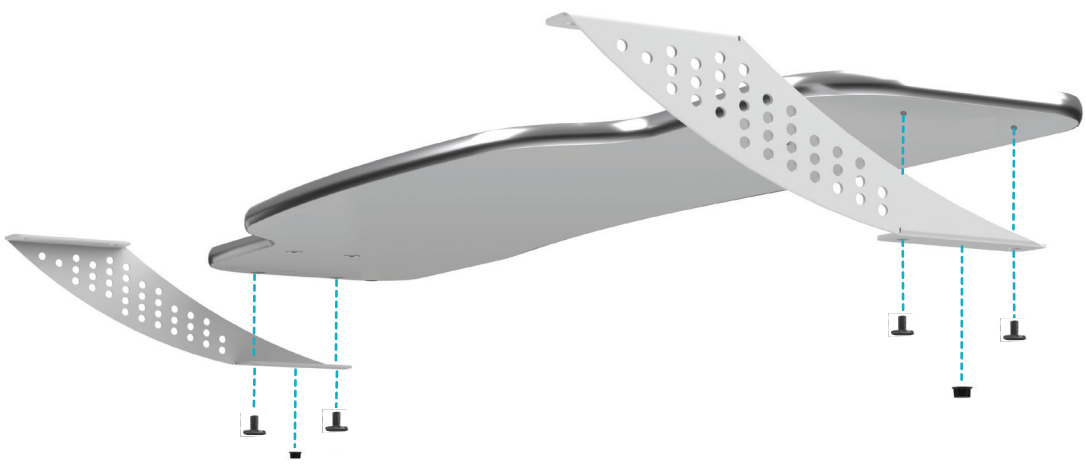
2 Push the button to raise the top surface of your desk riser to the maximum height. Ensure the power cord goes under the scissor arm and through the side opening as illustrated.



NOTE:
Power cord damage caused by failure to properly secure cord away from scissor arm mechanism is not covered under warranty.



3 Align the holes on the bracket with the threaded inserts on the keyboard surface. Secure the bracket to the keyboard surface using (4) 12mm Furniture Bolts. Attach the (2) bumpers to the bracket by peeling them off the plastic to reveal the adhesive.

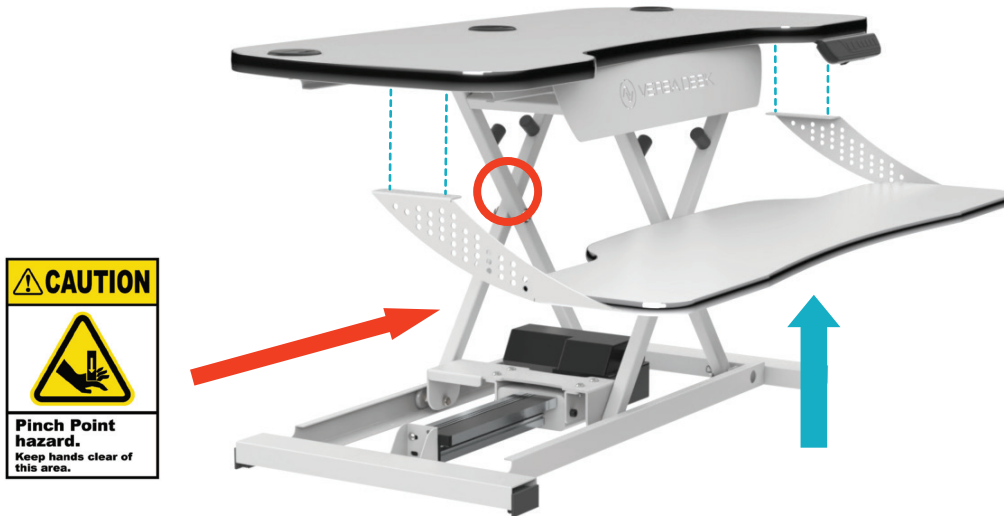


POWER PRO Elite

Assembly Instructions

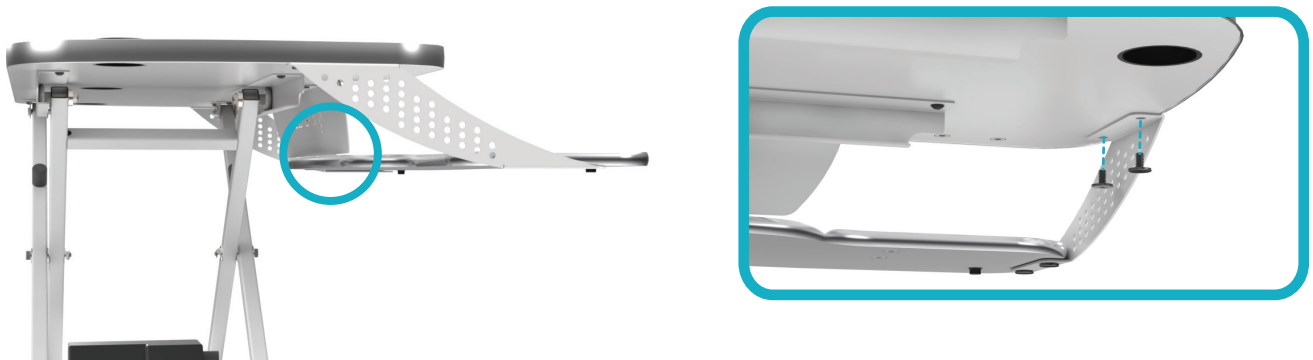
4

Pick up the keyboard surface. Carefully raise the keyboard tray brackets into place as show and align the holes on the side brackets with the screw insert slots on both the left and right side of the main surface



5

Make sure the end of the keyboard tray is sitting under the middle bracket. Secure the side brackets to the top surface using (4) 12mm Furniture Bolts.



6

Nice! You are all set.

Before raising/lowering your unit, make sure all cords are secured and away from all moving parts.

We hope you enjoy your new workspace and that it brings you more well-being while working.



How can we improve our assembly instructions?
 Your comments and suggestions are important to us.