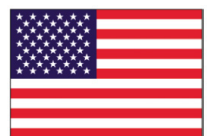


WorkNest Cube H - Glass Office Cubicle  
VOCH

REV. 02212024

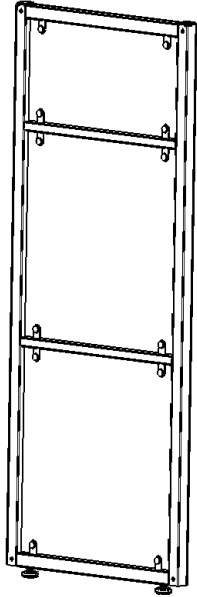


How can we improve our assembly instructions?  
Your comments and suggestions are important to us.  
Please e-mail us at: [support@versadesk.com](mailto:support@versadesk.com)

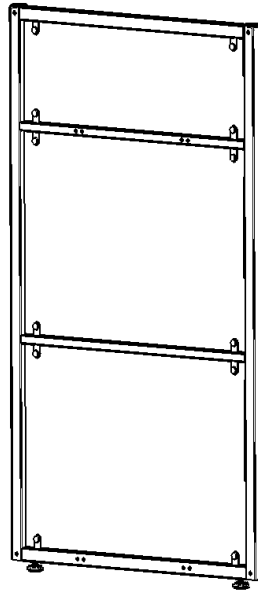


**MADE IN  
AMERICA**

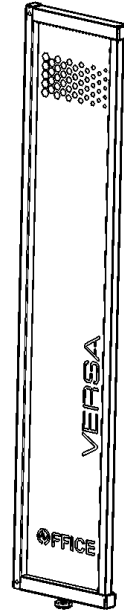
## Parts



27" Panel **x4**



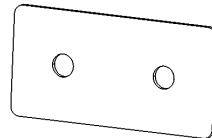
39" Panel **x2**



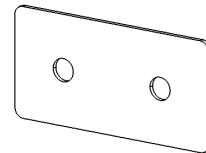
End Panel **x4**  
(Left & Right)



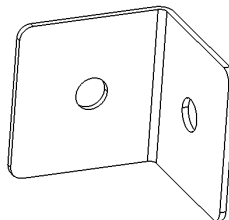
Connecting Post  
**x2**



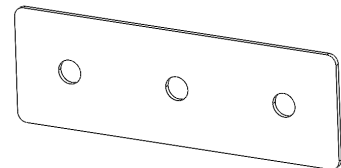
2.5" Connecting Bracket  
**x16**



3" Connecting Bracket  
**x4**

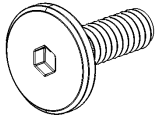


Inner Corner  
Connecting Bracket **x8**



4.5" Connecting Bracket  
**x4**

## Hardware



1/4-20 x 20mm  
Furniture Bolt  
**x68**



4mm Allen wrench  
(included)



Power Supply



Pigtail Connector

## Additional Tools



Level



Tape measure

## ⚠ Attention ⚠

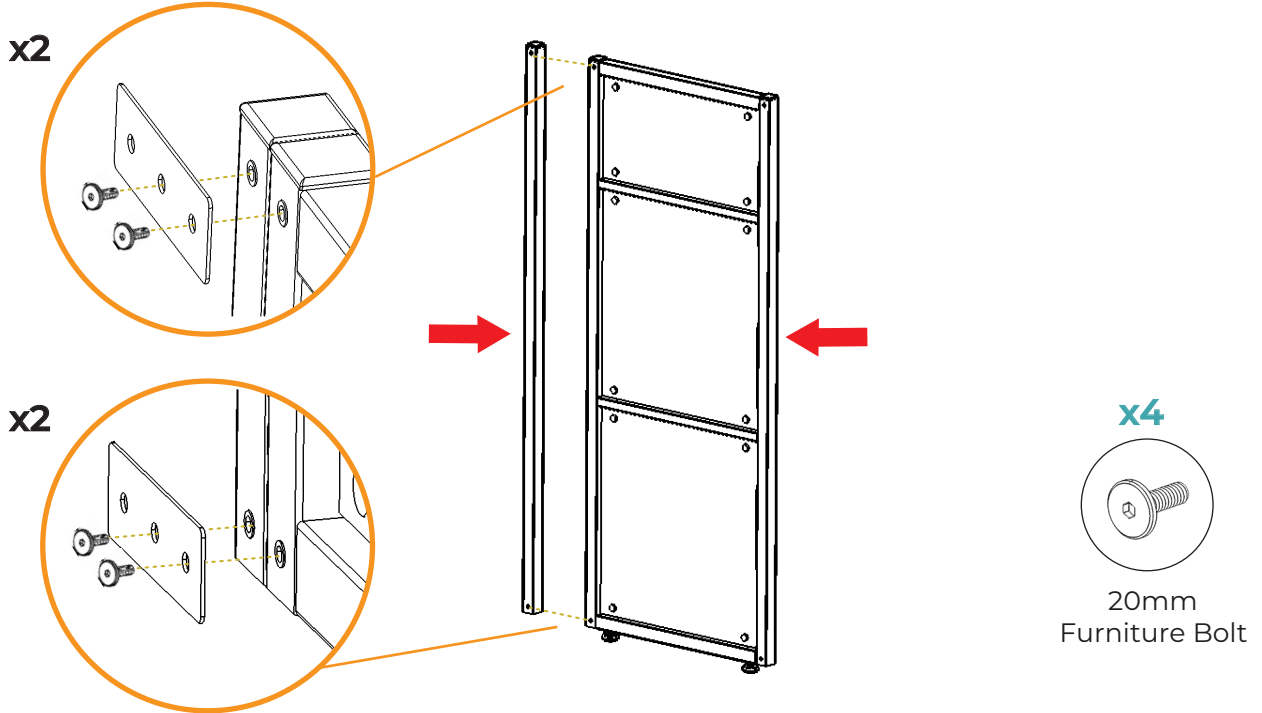


Assembly is very simple and can be done by (1) person, however, we recommend (2) people for this assembly.



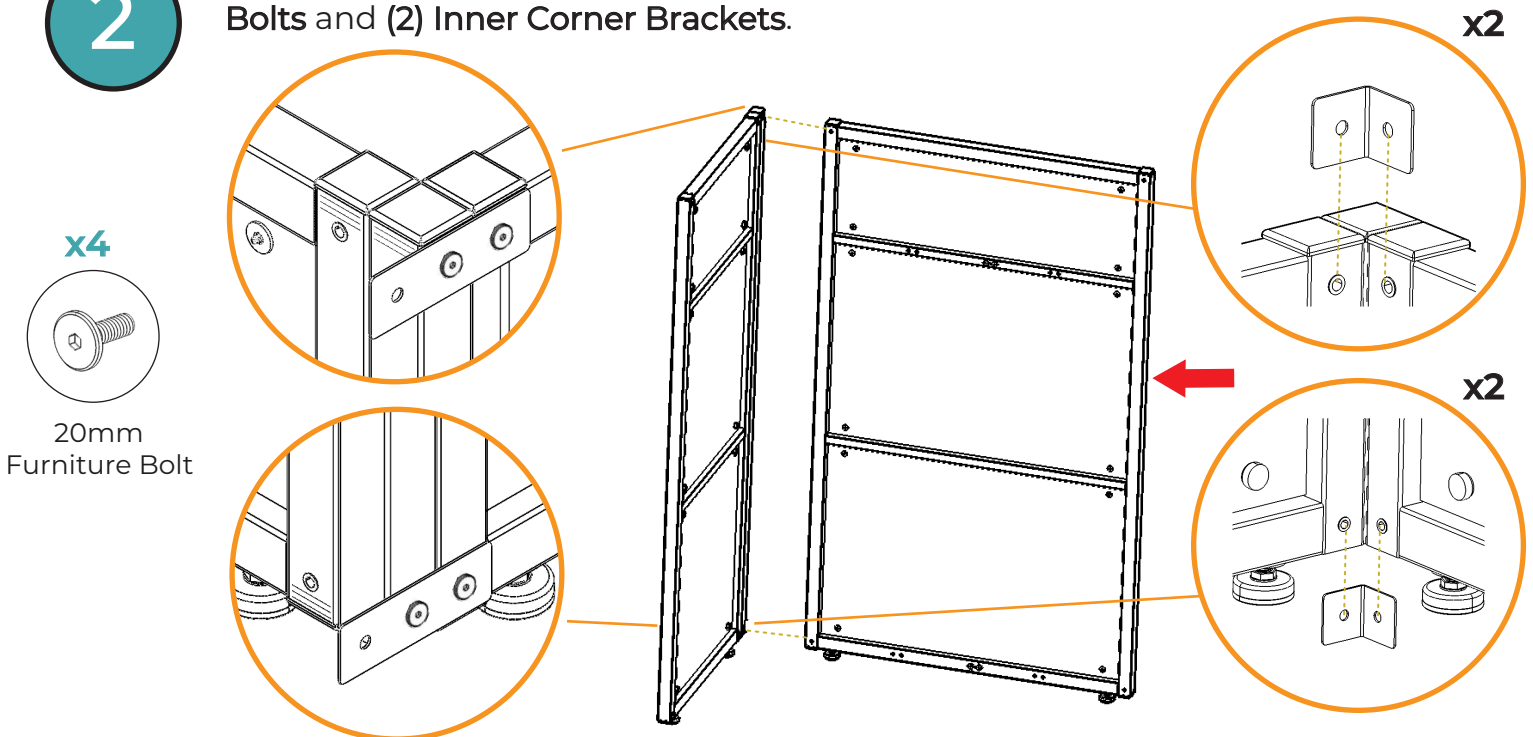
**1**

Connect the **27" Panel** to the **Connecting Post** using **(2) 4.5" Connecting Brackets** and **(4) 20mm Furniture Bolts**.



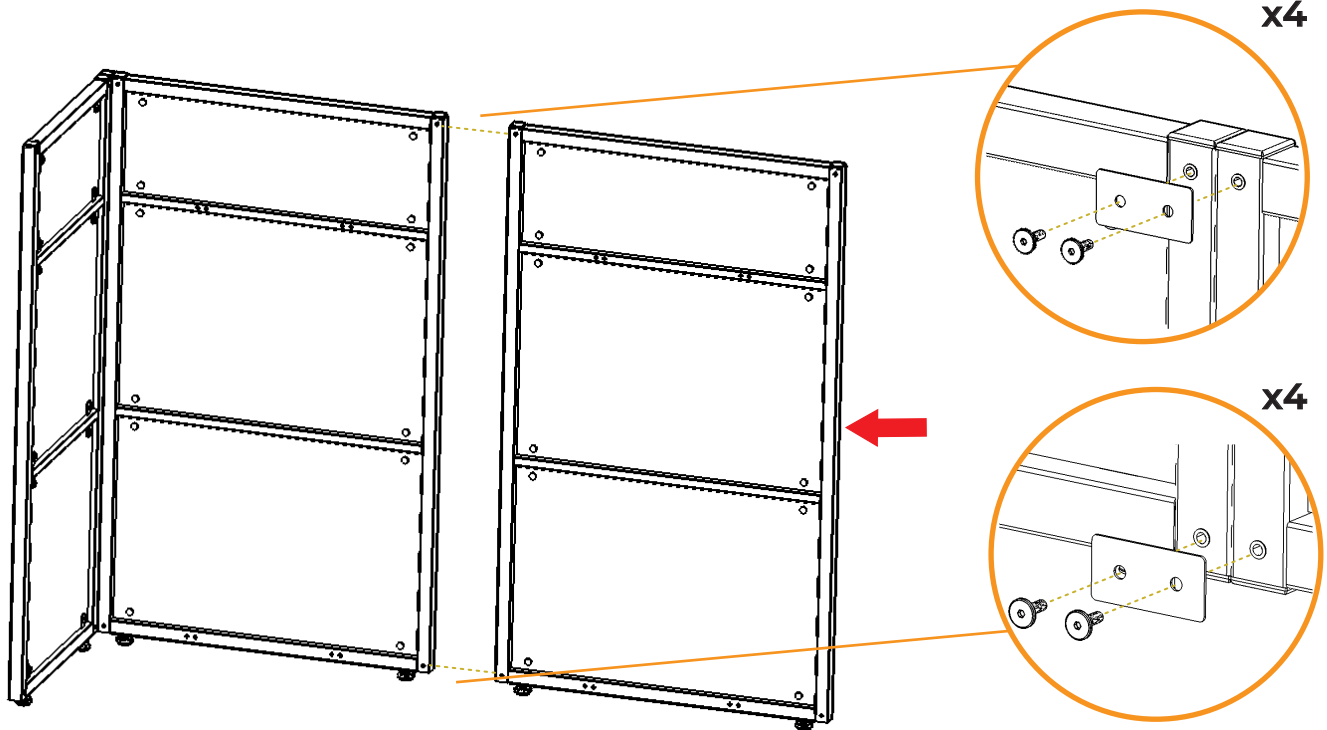
**2**

Connect the **39" Panel** to the **27" Panel** using **(4) 20mm Furniture Bolts** and **(2) Inner Corner Brackets**.



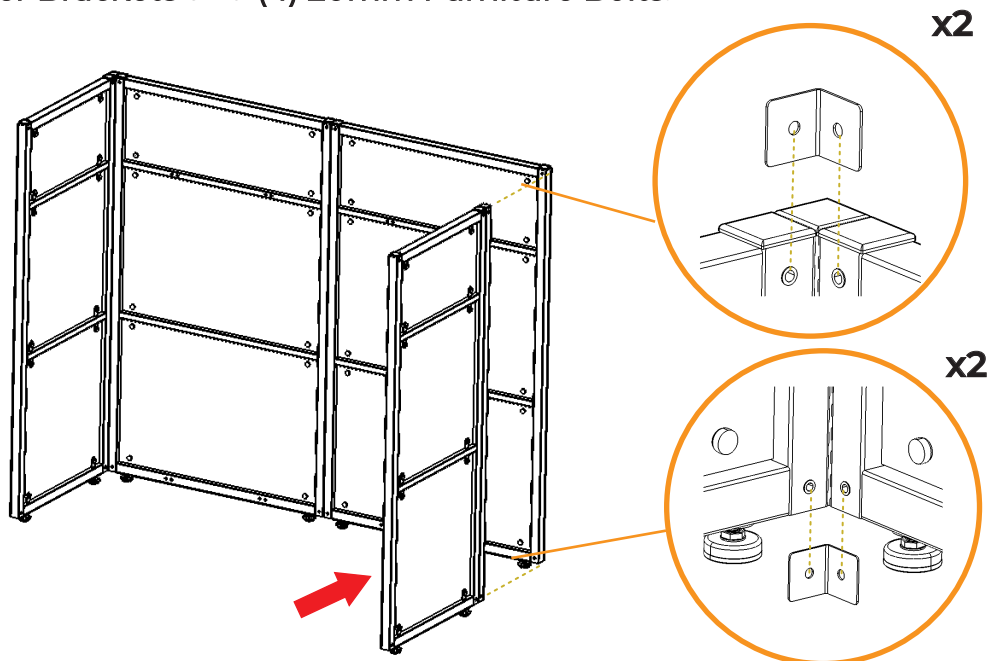
**3**

Connect a second **39" Panel** to the first using **(4) 3" Connecting Brackets** and **(8) 20mm Furniture Bolts**.



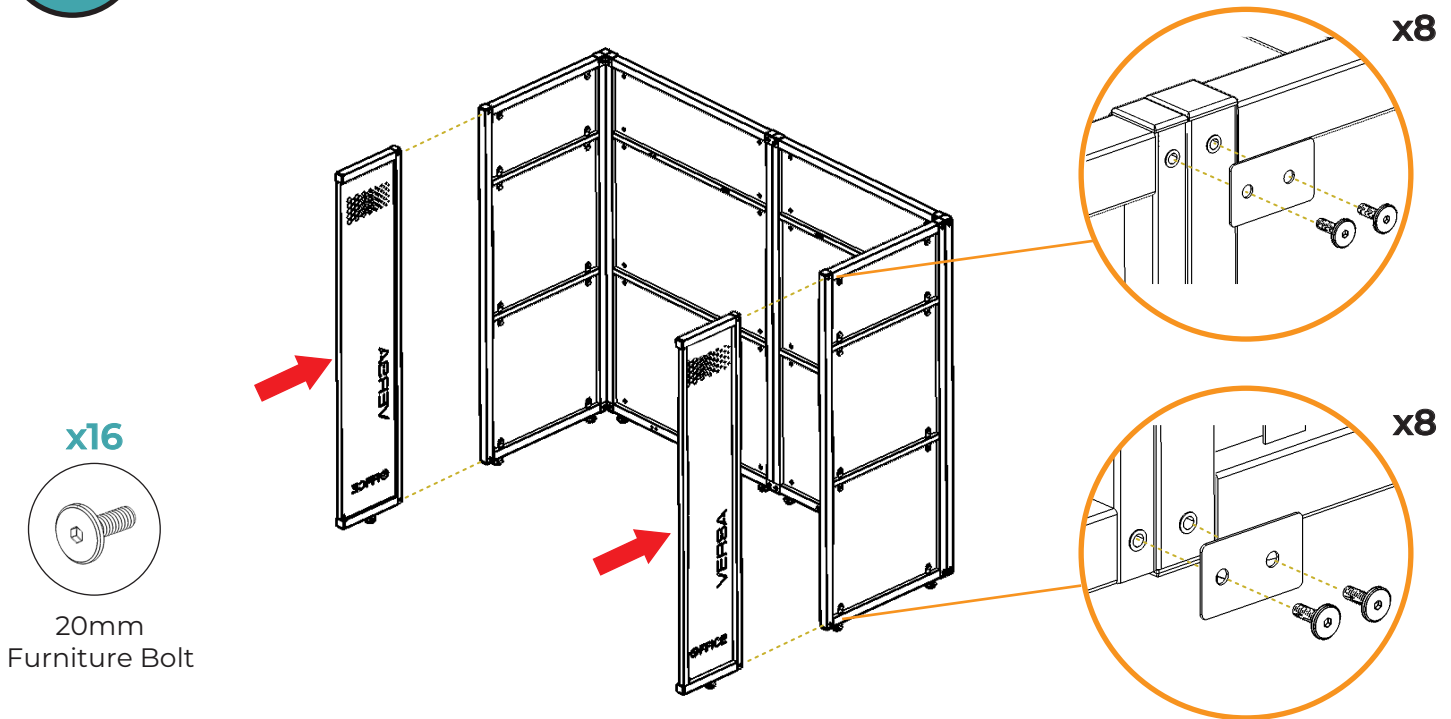
**4**

Repeat **Step 1** to connect the **27" Panel** to the **Connecting Post**. Then, similarly to Step 2, connect the second **27" Panel** to the **39" Panel**. You will need to use **(2) Inner Corner Brackets** and **(4) 20mm Furniture Bolts**.



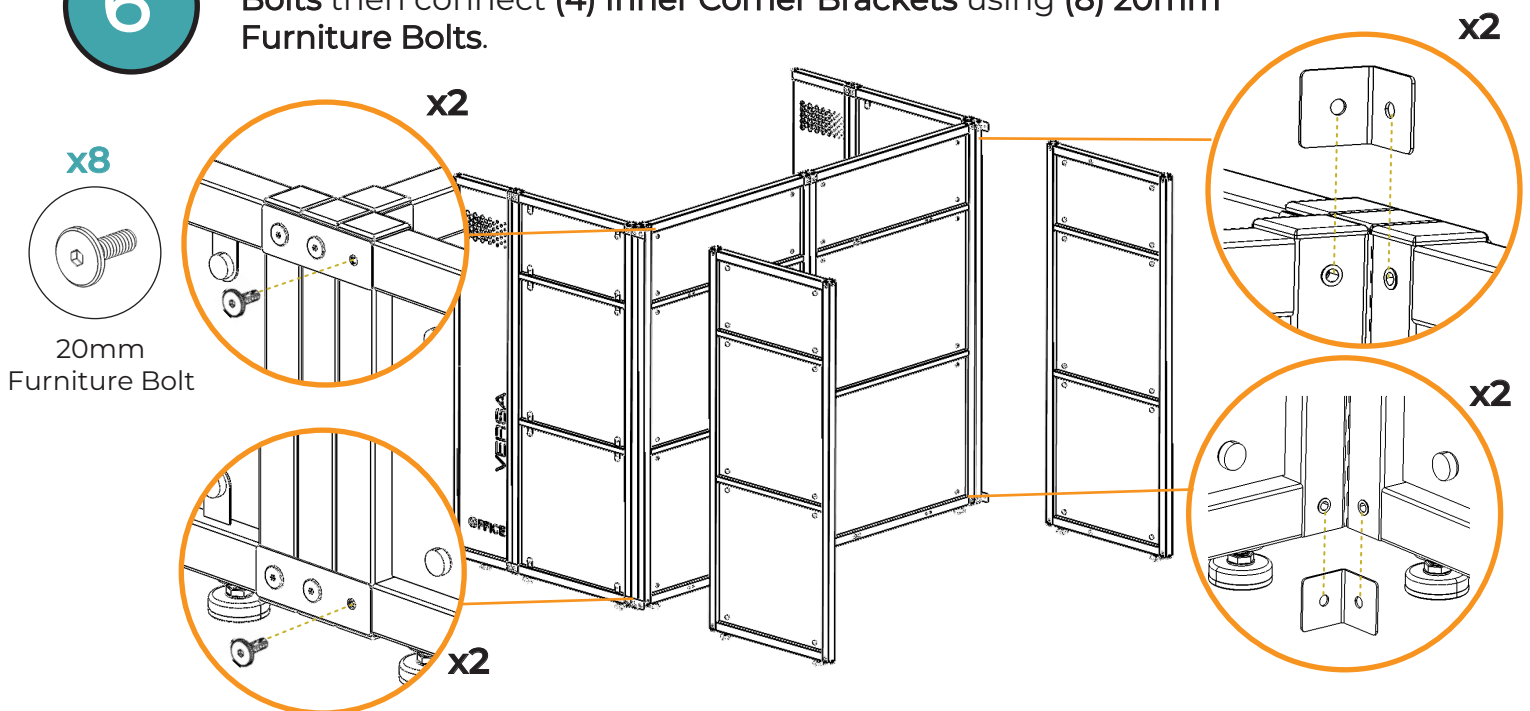
## 5

Connect both **End Panels** to the **27" Panels** using **(8) 2.5" Connecting Brackets** and **(16) 20mm Furniture Bolts**.



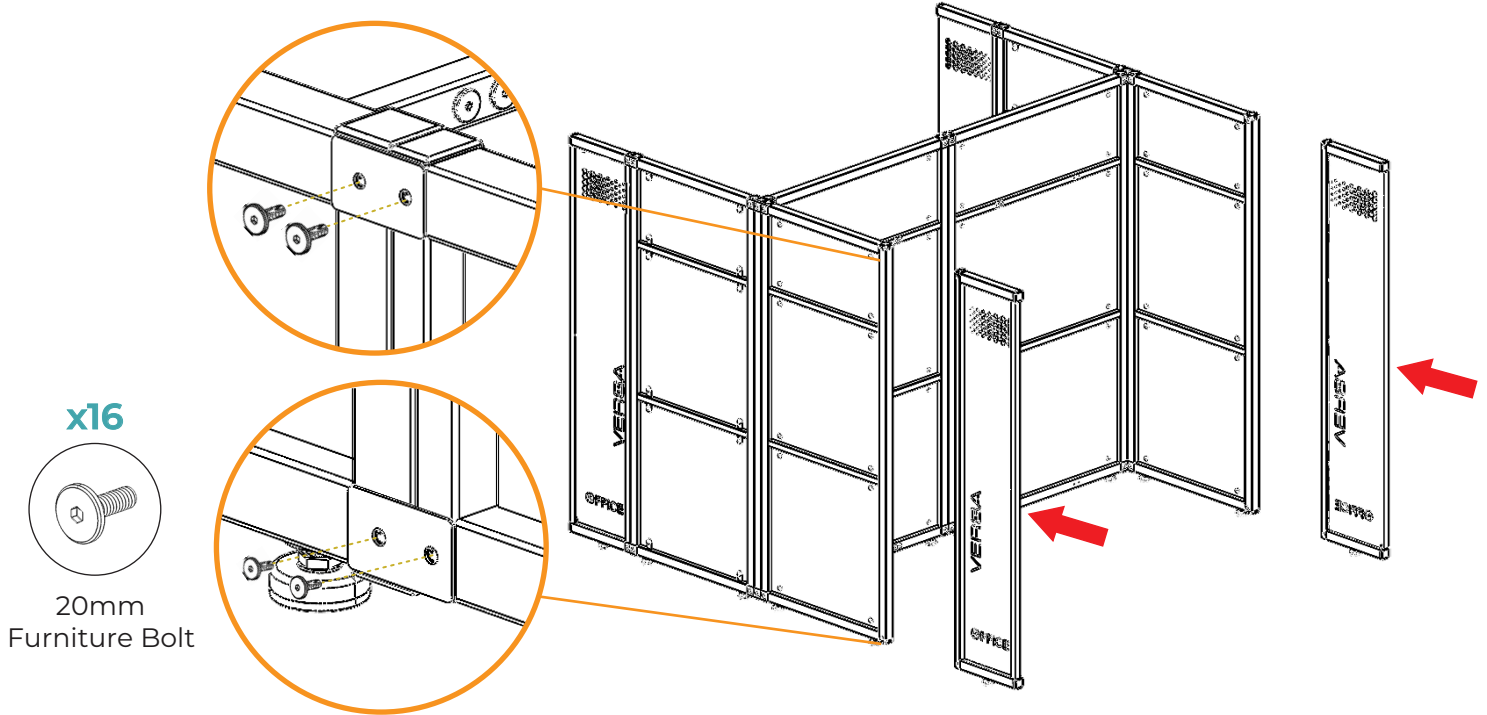
## 6

Connect **(2) 27" Panel** to the **39" Panels** using **(4) 20mm Furniture Bolts** then connect **(4) Inner Corner Brackets** using **(8) 20mm Furniture Bolts**.



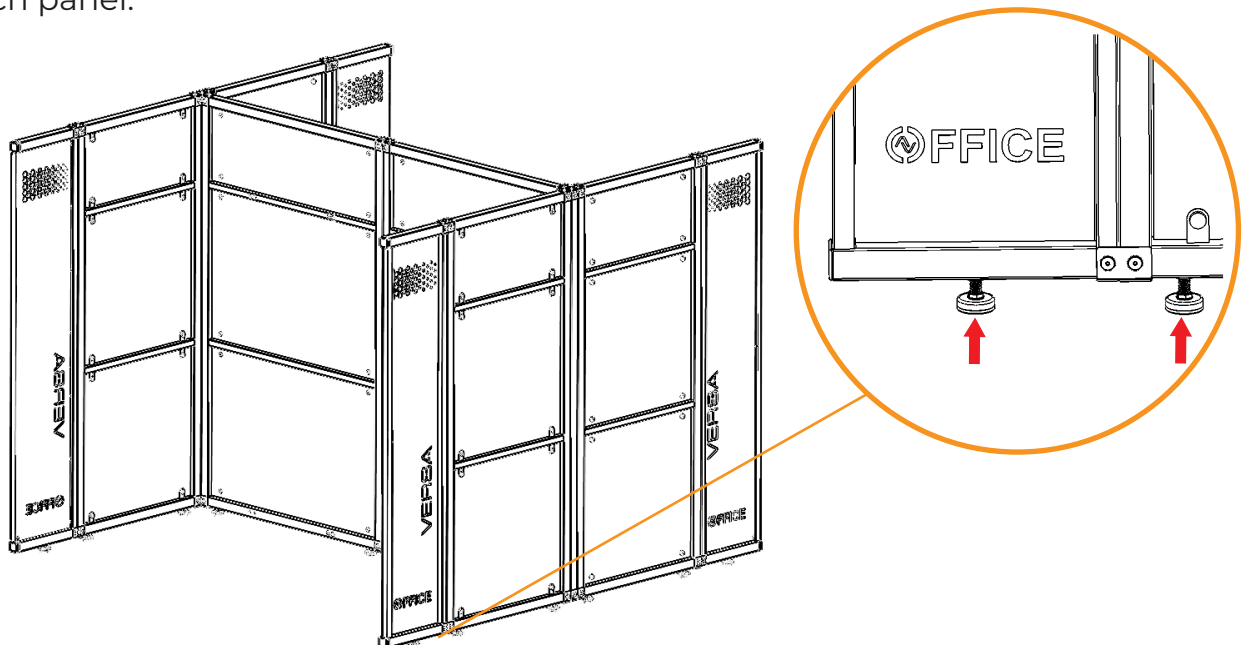
## 7

Connect both **End Panels** to the **27" Panels** using **(8) 2.5" Connecting Brackets** and **(16) 20mm Furniture Bolts**.



## 8

Use a **Level** to make sure that all of the panels are set up properly. If you need to adjust the height, turn the **Gliders** at the bottom of each panel.

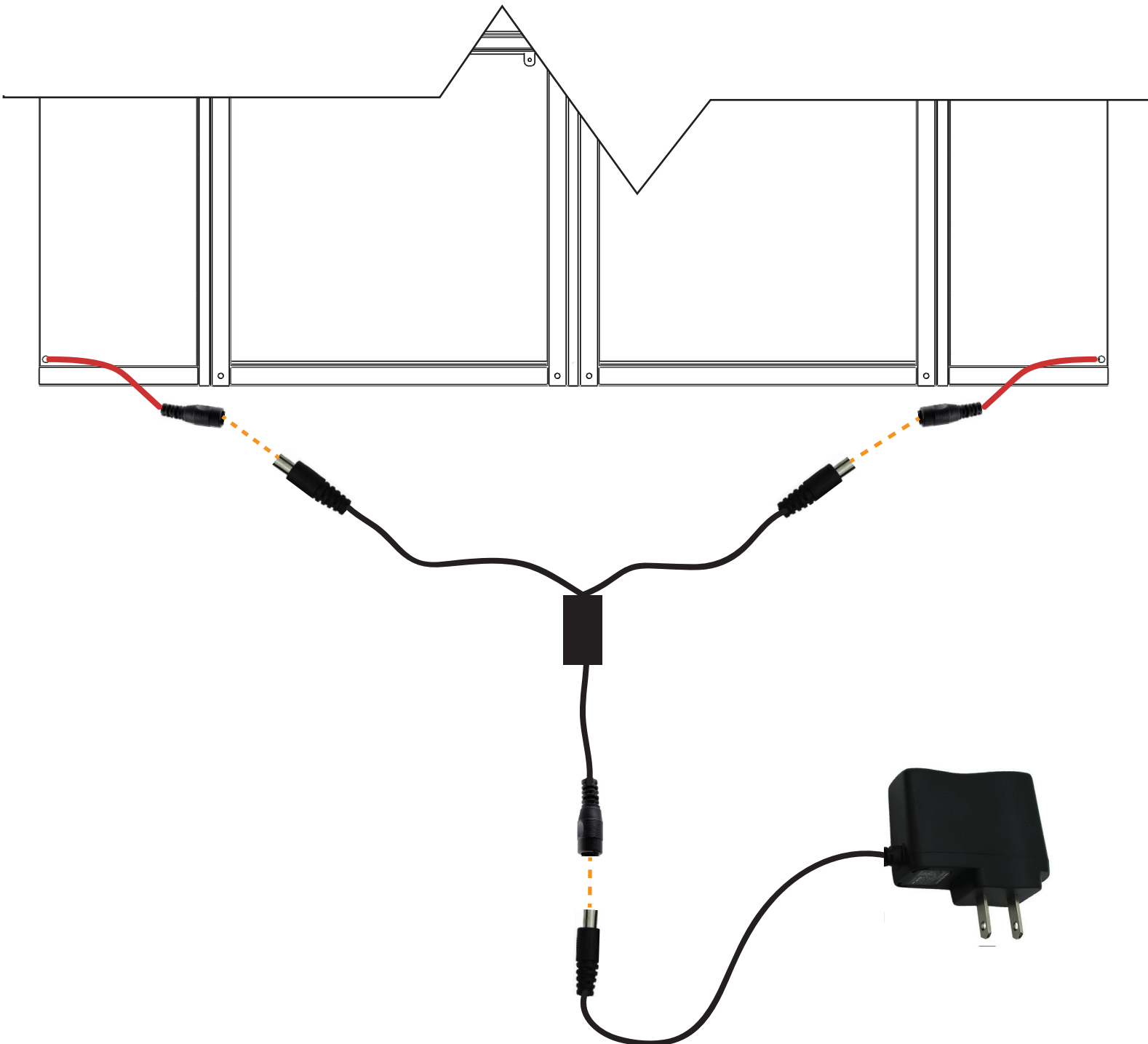


9

Connect the 2 Male ends of the provided **Pigtail Connector** to the 2 Female ends of the pre-installed wire on the **End Panels**. Connect the included **Power Supply** to the **Pigtail Connector**.

Refer to the diagram Below:

(Not Drawn To Scale)





10

Your new cubicle is now ready for use.

