

WorkNest Cube L - Glass Office Cubicle VOCL

REV. 02222024

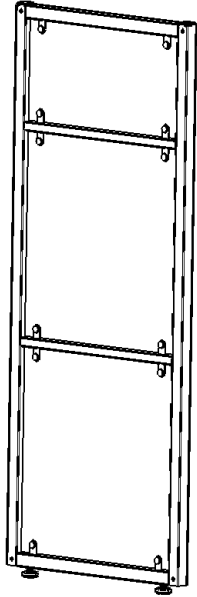


How can we improve our assembly instructions?
Your comments and suggestions are important to us.
Please e-mail us at: support@versadesk.com

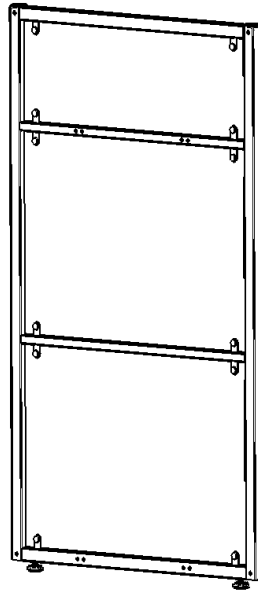


**MADE IN
AMERICA**

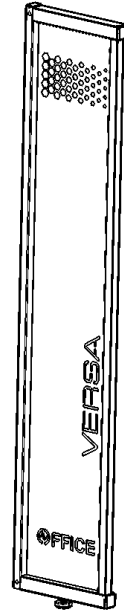
Parts



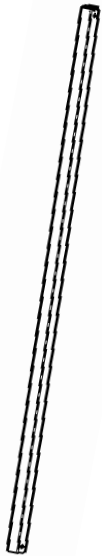
27" Panel **x1**



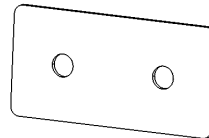
39" Panel **x2**



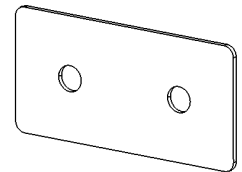
End Panel **x1**



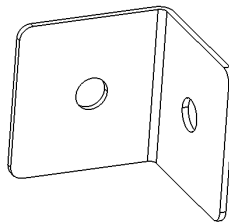
Connecting Post
x1



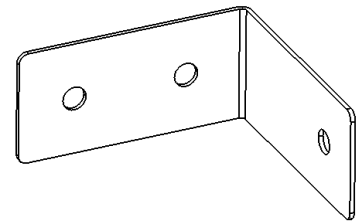
2.5" Connecting Bracket
x4



3" Connecting Bracket
x4

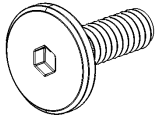


Inner Corner
Connecting Bracket **x2**



Outer Corner
Connecting Bracket **x2**

Hardware

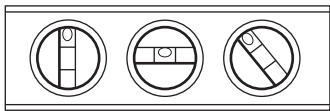


1/4-20 x 20mm
Furniture Bolt
x26



4mm Allen wrench
(included)

Additional Tools



Level



Tape measure

⚠ Attention ⚠

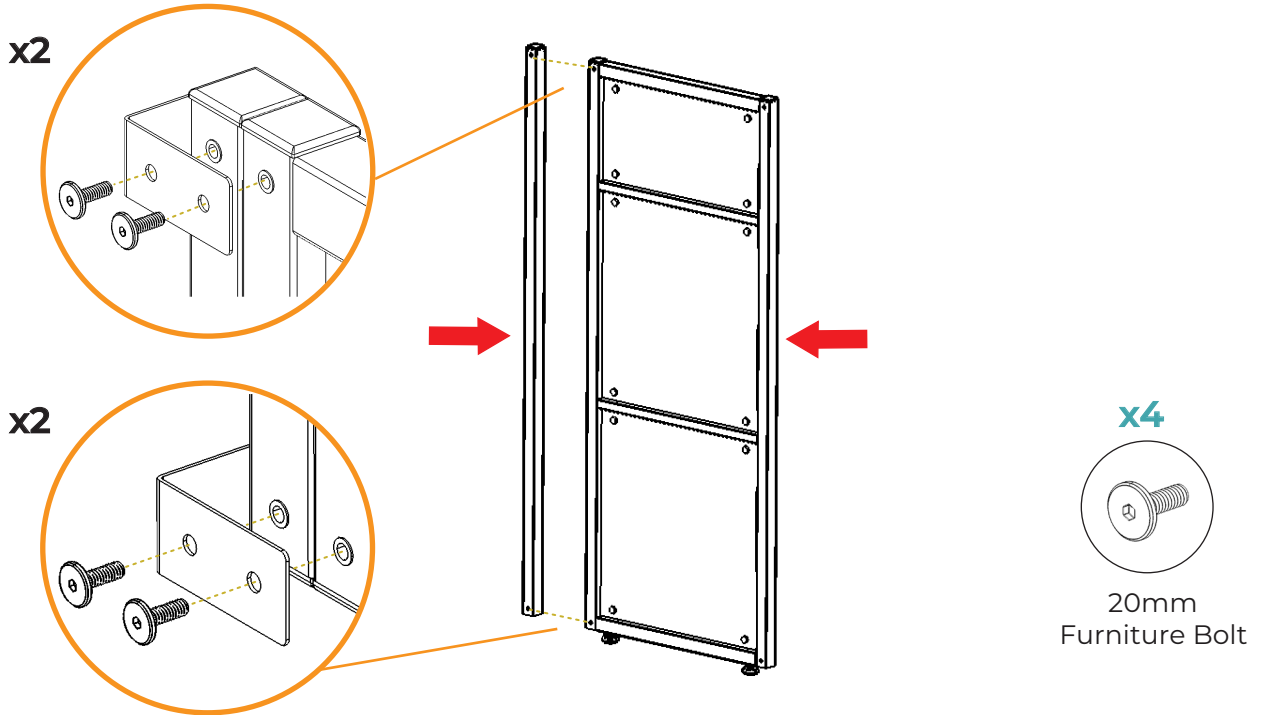


Assembly is very simple and can be done by (1) person,
However, we recommend (2) people for this assembly.



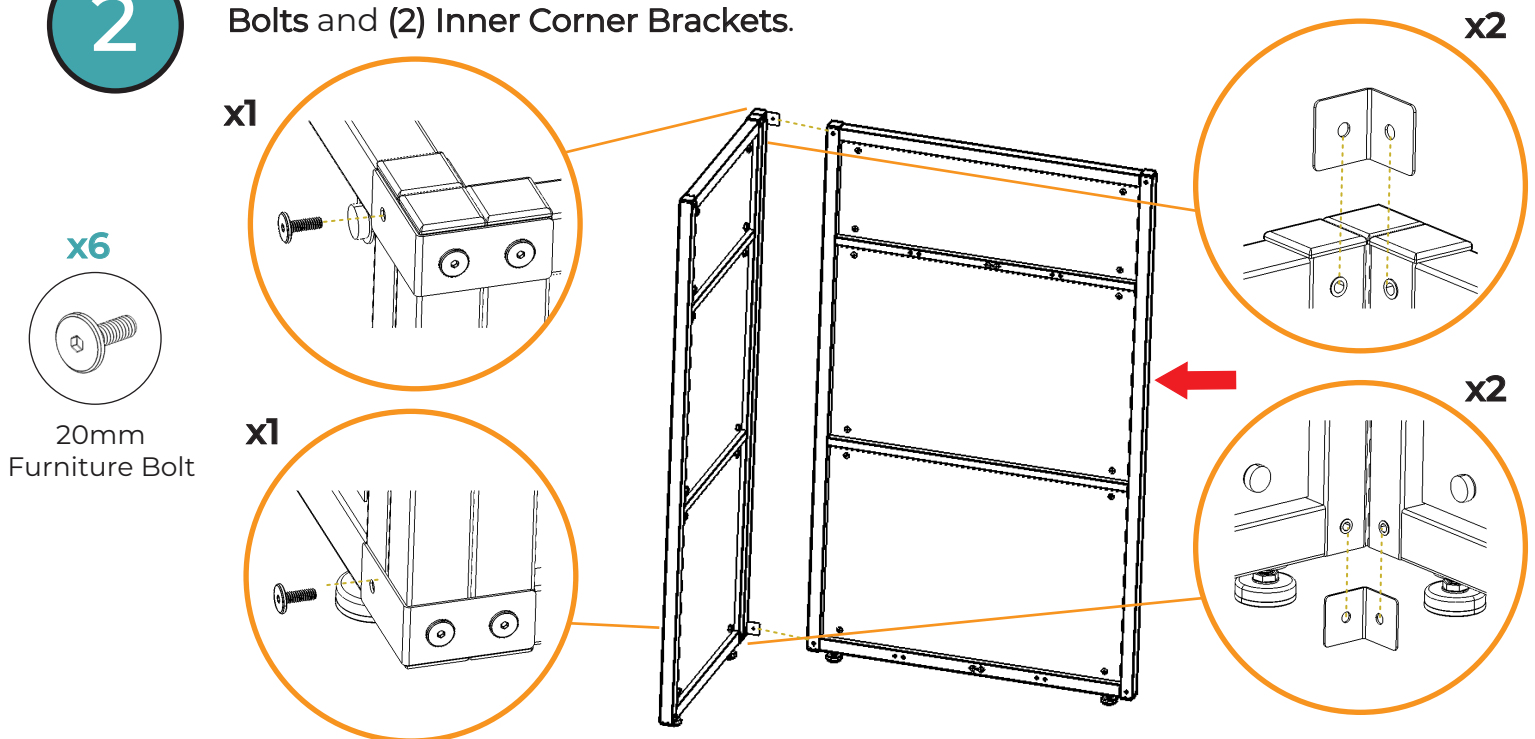
1

Connect the **27" Panel** to the **Connecting Post** using **(2) Outer Corner Brackets** and **(4) 20mm Furniture Bolts**.



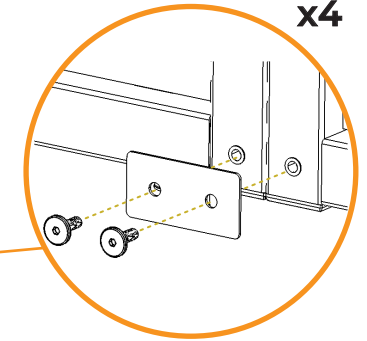
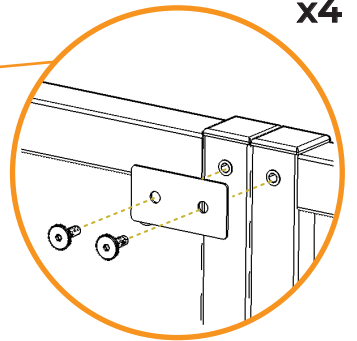
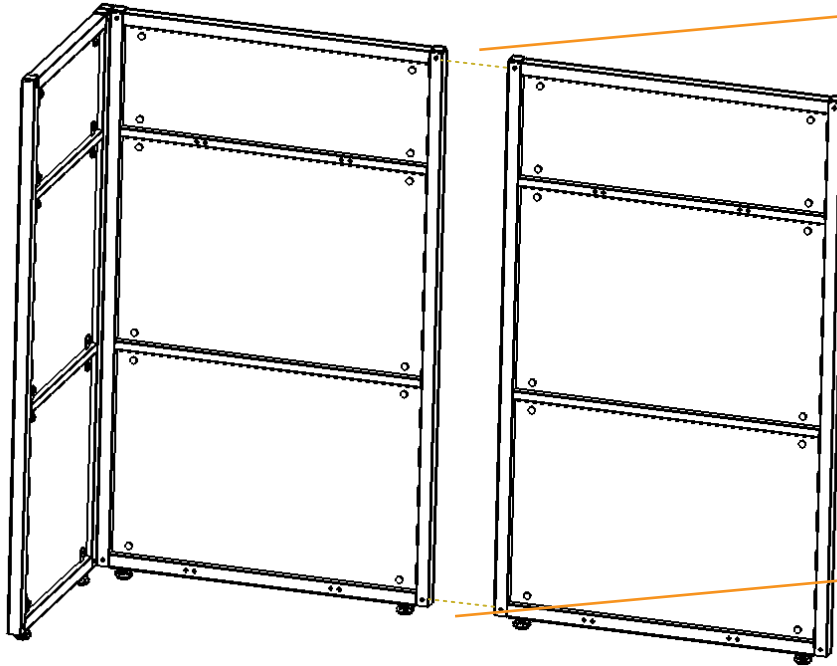
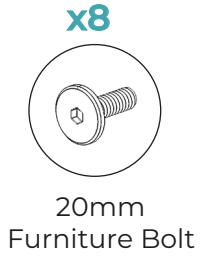
2

Connect the **39" Panel** to the **27" Panel** using **(6) 20mm Furniture Bolts** and **(2) Inner Corner Brackets**.



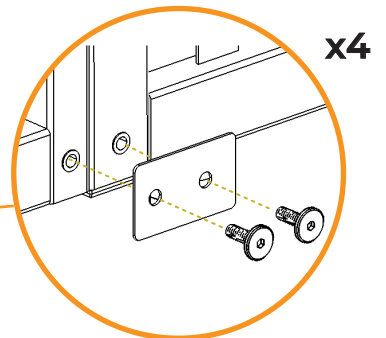
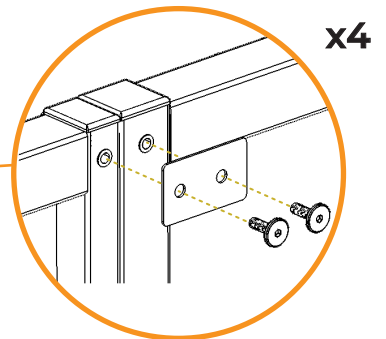
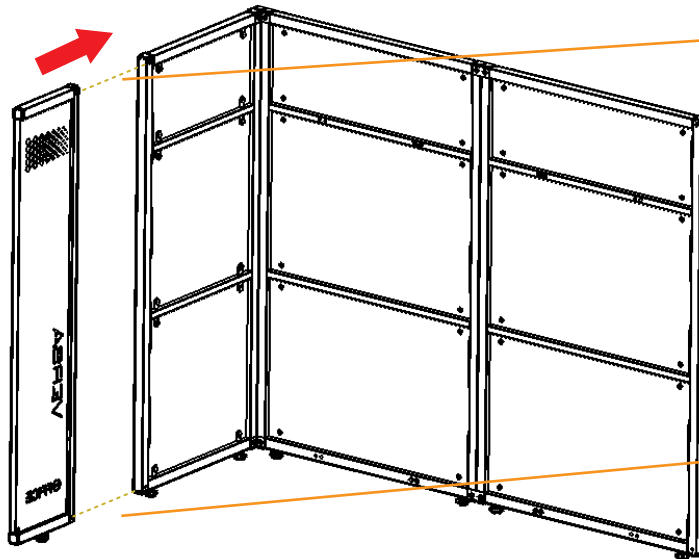
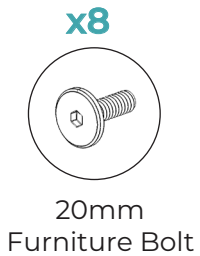
3

Connect a second **39" Panel** to the first using **(4) 3" Connecting Brackets** and **(8) 20mm Furniture Bolts**.



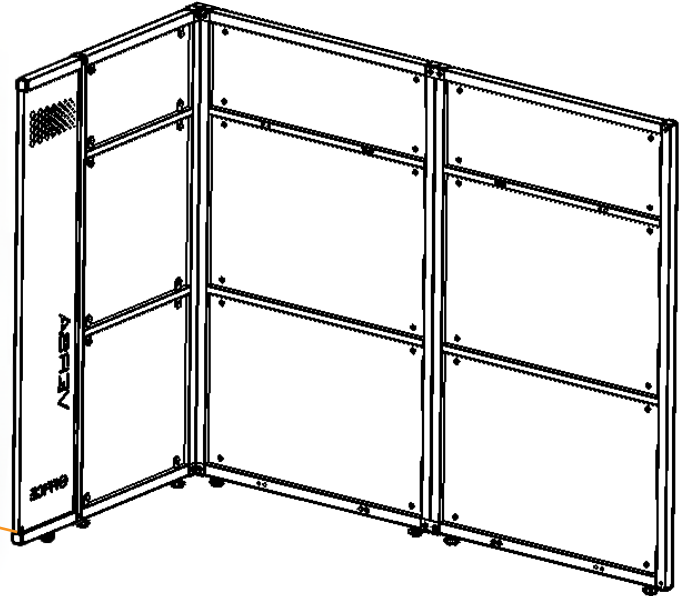
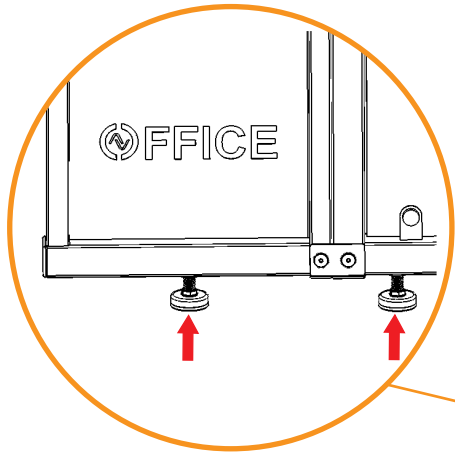
4

Connect the **End Panel** to the **27" Panel** using **(4) 2.5" Connecting Brackets** and **(8) 20mm Furniture Bolts**.



5

Use a **Level** to make sure that all of the panels are set up properly. If you need to adjust the height, turn the **Glid**ers at the bottom of each panel.

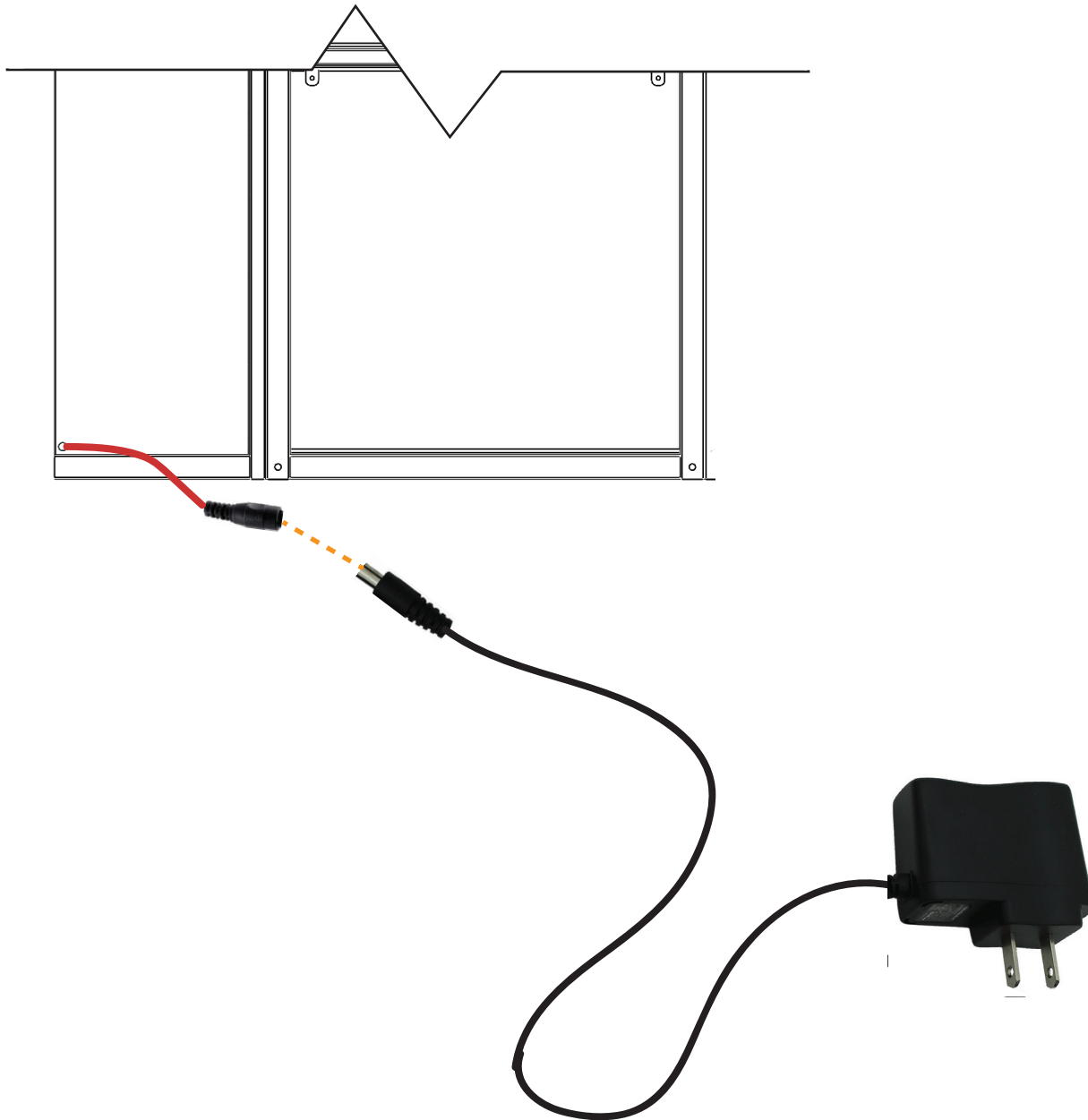


6

Connect the Male end of the provided **Power Supply** to the Female end of the pre-installed wire on the **End Panel**. Connect the **Power Supply** to the outlet to power on the LED Lights

Refer to the diagram Below:

(Not Drawn To Scale)



7

Your new cubicle is now ready for use.

