

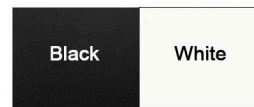
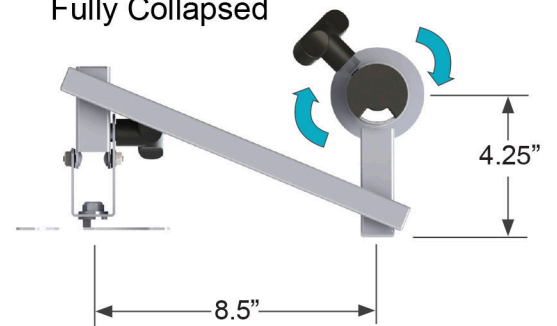
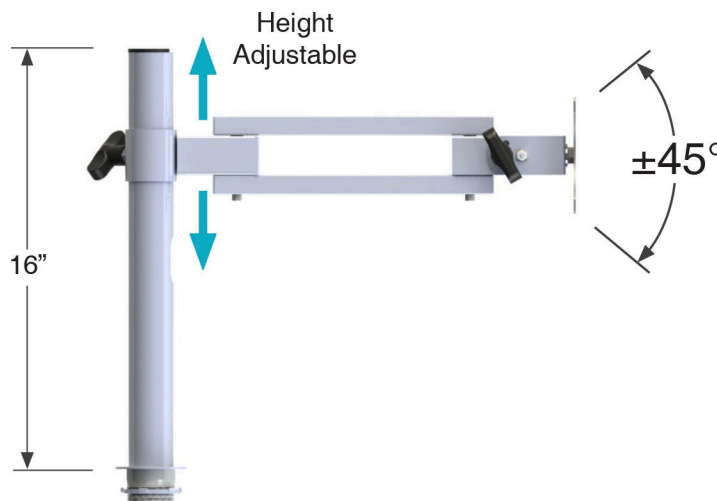
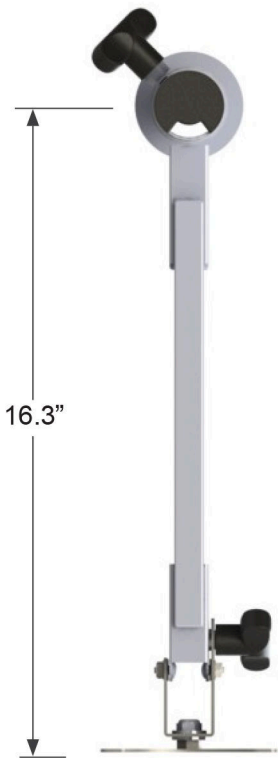
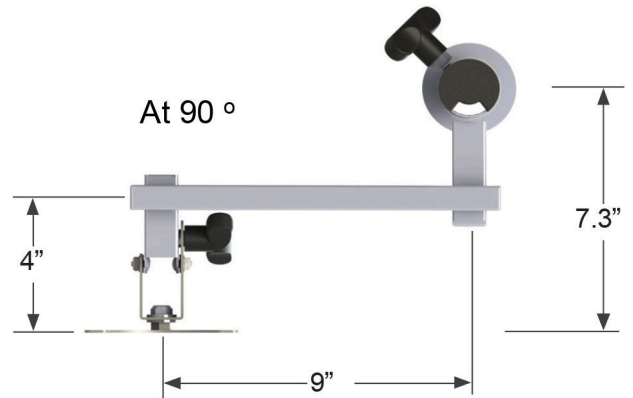
KEY FEATURES

- 14 Gauge Recycled Steel Frame
- Scratch / Dirt Resistant Powder Coat

MODEL #	WIDTH	DEPTH	WEIGHT CAPACITY	WEIGHT
UTM-S1	4.5"	4.25"	22 lbs	15 lbs.

CERTIFICATIONS

- ANSI/BIFMA Certified
- LEED Credit Potential
- Sustainable Furnishings Council

FRAME COLORS

Fully Collapsed

At 90°

 75/75mm X
100/100mm
VESA Mount
